

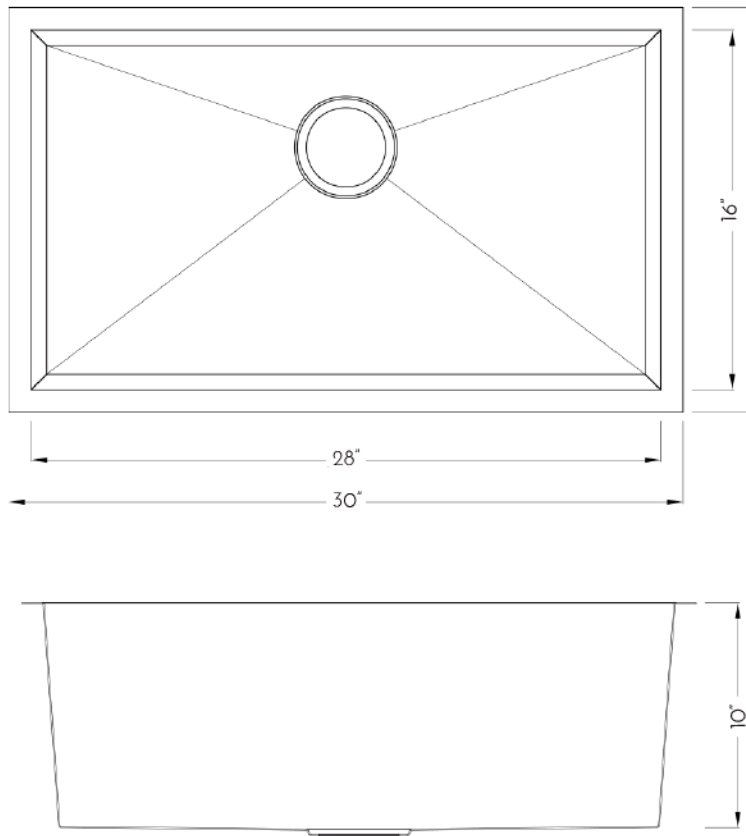


**DAX-SQ-3018-X**



UNDERMOUNT KITCHEN SINKS **SERIES**





## FEATURES

- 304 Stainless steel
- Brushed finish
- 18 Gauge
- Sound dampening
- Rectangular shape
- Overall size: 30" x 18"
- Depth: 10"
- Cutting template
- Undermount installation

## ACCESSORIES

- Bottom grid not included (available)
- Basket drain not included (available)
- Round Stainless Steel Colander not included (available)
- Grey Silicone Dish Rack not included (available)
- Colander not included (available)







**KITCHEN SINK DAX-SQ-3018-X**

OVER ALL SIZE (in)	30" X 18"
DEPTH (in)	10"
BOTTOM GRIDS INCLUDED	No
BASIN SPLIT	No
BASKET STRAINER INCLUDED	No
COLANDER INCLUDED	No
DRAIN CONNECTION	X
DRAIN PLACEMENT	Rear
FARM HOUSE	No
FAUCET HOLES	No
GAUGE	18g
INSTALATION TYPE	Undermount
MATERIAL	304 Stainless Steel
MINIMUM CABINET SIZE	X
MOUNTING HARDWARE INCLUDED	Yes
NUMBER OF BASINS	1
PRODUCT WEIGHT	22.04 lb
SINK SHAPE	Rectangular
SOUND DAMPENING	Yes
STAINLESS STEEL GRADE	304
UPC APPROVED	Yes
SINK FINISH TYPE	Brushed

For parts or sale requirements please contact our customer service department:

 [CS@daxib.com](mailto:CS@daxib.com)

 1 888 685 8236

